

1500 Series Hazardous Location PowerReel®

These reels are also commonly referred to as “explosion-proof” or “hazardous duty” reels. They are built with modular “1400 Series” components, coupled with a spark-proof ratchet and hazardous location slip ring housing.



Hazardous Location PowerReels are ideal for:

- Petroleum facilities
- Waste water treatment plants
- Grain storage and handling silos
- Paint booths
- Underground mines
- Chemical plants

Standard Features

- SOW-A cable, on all reels
- Spring activated ratchet
- 4 roller adjustable cable guide and ball stop
- Built to UL 508C table 36.1 / NEC Standards
- 6' feeder cord on fixed end
- Indoor or outdoor use
- 35 amp, 1-4 conductors 600 Volt, 5-12 conductors 250 Volt
- Rugged fabricated steel and cast aluminum construction
- Threaded cast aluminum slip ring enclosure
- Gray epoxy finish on steel parts

Choosing a 1500 Series PowerReel:

- Use the 1400 Series “Lift/Drag” chart on page 12 to select your 3 or 4 conductor 1500 Series reel. Use the same part number as the equivalent 1400 Series, but replace prefix “14” with “15”. For example:
152160305011 - rather than **142160305011**)
- Cable length is actual length. Be sure to order enough cable - see “Cable Length Needed” on page 5.
- This reel can accommodate other applications - see Specification Data Sheets pages 4-5.

UL Hazardous Location Listings

3 and 4 conductor models with cable installed only

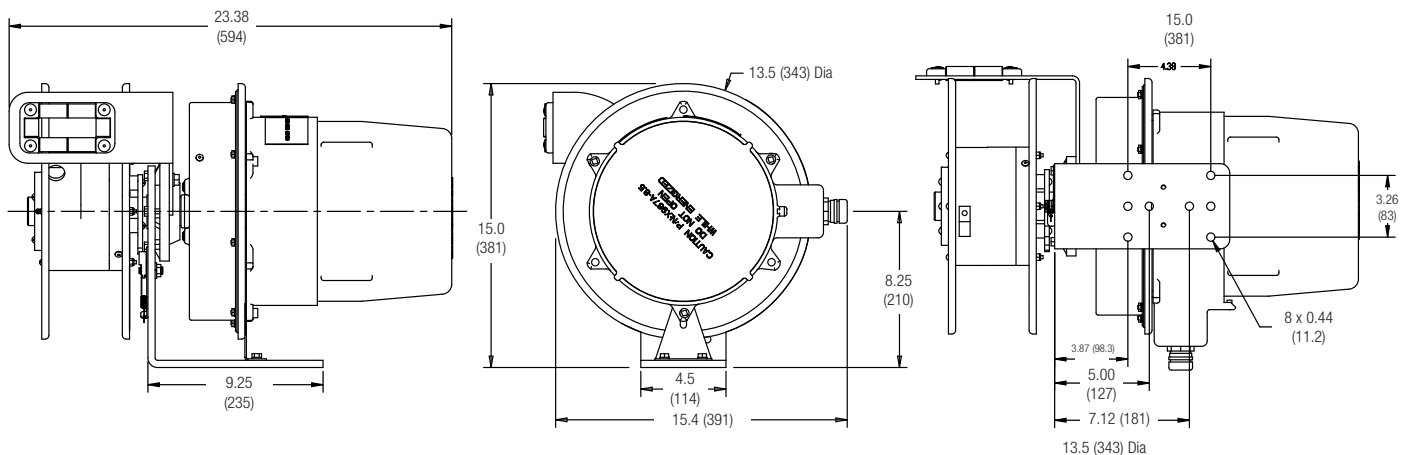
- Class I Division 1, Groups C & D (flammable gases or vapors)
- Class II Division 1, Groups E, F, & G (combustible dusts)
- Class III Division 1 (easily-ignitable fibers or flyings)
- Class I Zone 1: AEx d IIB, EX d IIB
- Conforms to NEMA 9 and NEMA 4 (IP56) standards



1500 Series Options:

- Hazardous location swivel bases - page 25.
- Hazardous location hand lamps - pages 22 & 23
- 345° pivot base for 1500 Series reels - page 25

1500 Series Dimensions



1400 Series PowerReel® Selection Chart

The most common 1400 Series configurations are listed below. Cable lengths listed are the total length of cable on the spool, plus some allowance for “safety wraps”.

Reels operate best when the cable is pulled no more than 15 degrees from parallel with the guide and retracted the same way. For greater payout angles, we recommend adding a pivot base (pages 13 or 24) or swivel base (page 25).

The reels below:

- Are UL listed and CSA certified to NEMA 4
- Come with one conductor grounded to the reel.
e.g: 3 conductors (single-phase) = 2 live conductors + 1 ground
- Come with Type S00W-A cable pre-installed
- Come with ball stop (3 or 4 conductors only)

Cable AWG / # of Con.	Available Cable Length in Feet (Meters)						
	20 (6.10)	30 (9.14)	40 (12.19)	50 (15.24)	60 (18.29)	70 (21.33)	80 (24.38)
16/3	1421603020**	1421603030**	1421603040**	1421603050**	1421603060**	1421603070**	1421603080**
16/4	1421604020**	1421604030**	1421604040**	1421604050**	1421604060**	1421604070XX	1421604080XX
16/6	1421606020**	1421606030**	1421606040**	1421606050**	+	+	+
16/8	1421608020**	1421608030**	1421608040**	1421608050**	+	+	+
16/10	1421610020**	1421610030**	1421610040**	+	+	+	+
16/12	1421612020**	1421612030**	1421612040XX	+	+	+	+
14/3	1421403020**	1421403030**	1421403040**	1421403050**	1421403060XX	1421403070XX	+
14/4	1421404020**	1421404030**	1421404040**	1421404050**	1421404060XX	142140407031	+
14/6	1421406020**	1421406030**	1421406040**	1421406050XX	+	+	+
14/8	1421408020**	1421408030**	+	+	+	+	+
14/10	1421410020**	+	+	+	+	+	+
14/12	+	+	+	+	+	+	+
12/3	1421203020**	1421203030**	1421203040**	1421203050**	1421203060XX	+	+
12/4	1421204020**	1421204030**	1421204040**	1421204050**	142120406031	+	+
12/6	1421206020**	1421206030**	+	+	+	+	+
12/8	1421208020**	+	+	+	+	+	+
10/3	1421003020**	1421003030**	1421003040**	142100305031	142100306031	+	+
10/4	1421004020**	1421004030**	1421004040XX	142100405031	+	+	+
10/6	1421006020**	1421006030**	+	+	+	+	+

** Add the two-digit code from the list below to the above part numbers to ensure that the reel is properly set up for the desired application. Refer to page 4 for application details.

- 11 = Lift or Drag Application
- 21 = Stretch Application
- 31 = Retrieve Application

XX = Reels can be used in Lift/Drag (11) or Retrieve (31) applications only.

31 = Reels can be used in a “Retrieve” application only.

IMPORTANT

If the reel will be:

- Paying out and retracting at a very high cycle rate
 - Operating in an exceptionally harsh environment
- you may need **Premium Cable** - see Appendix VII, page 43, and contact Conductix-Wampfler for details.

Don't see the cable reel you need in our catalog? Contact Conductix-Wampfler!
We have wide variety of reels designed for special applications.