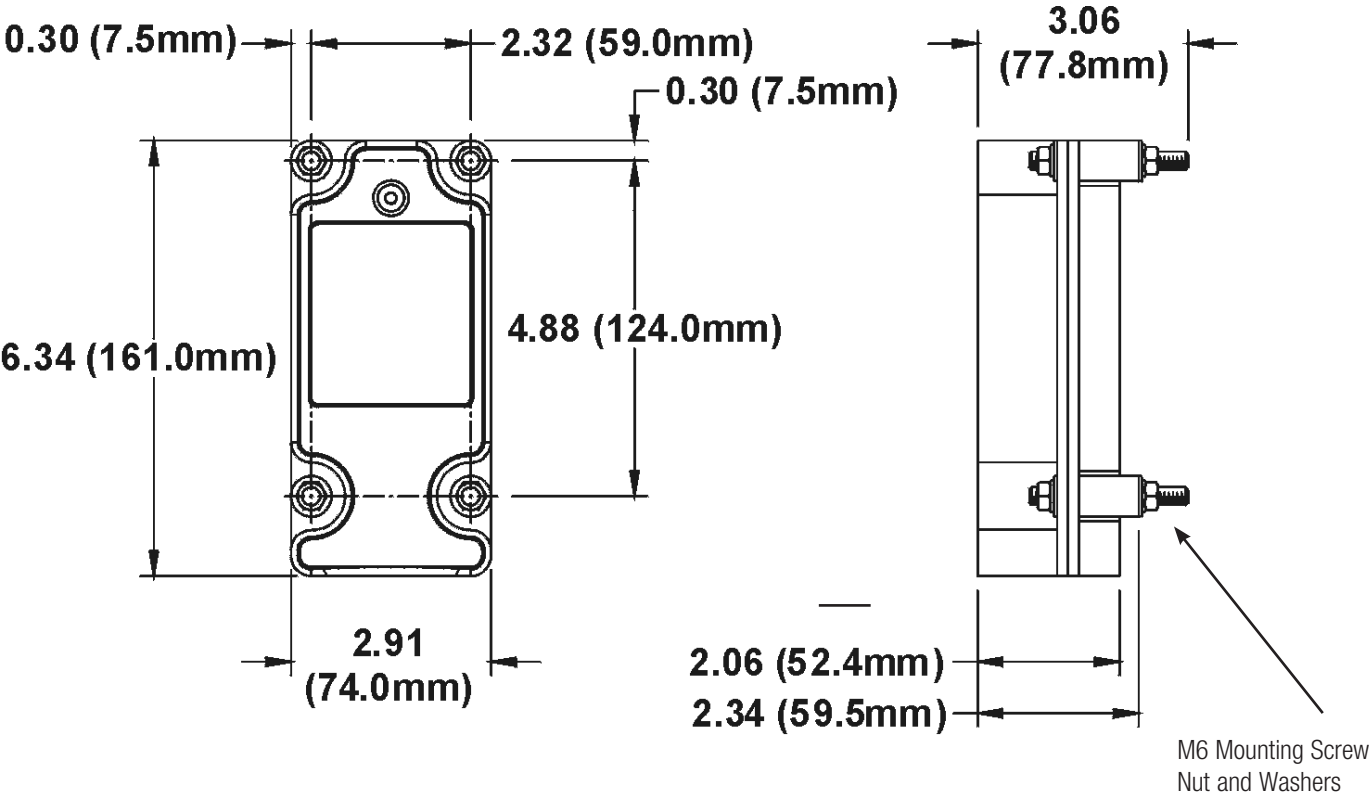


Protean™ Dimensions

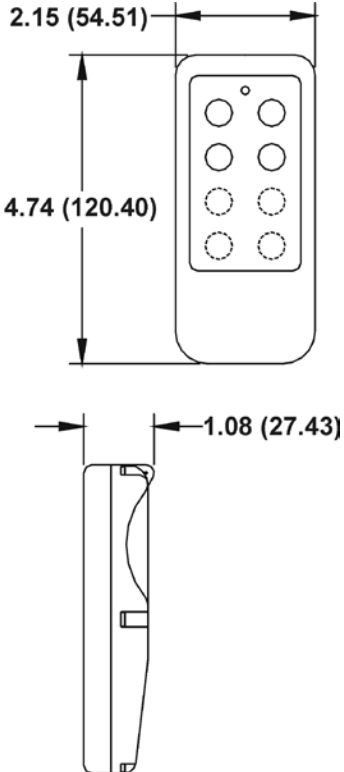
Protean™ Receiver

Weight: 2.4 lb (1.1 kg) - *Less Cable*



Protean™ Transmitter

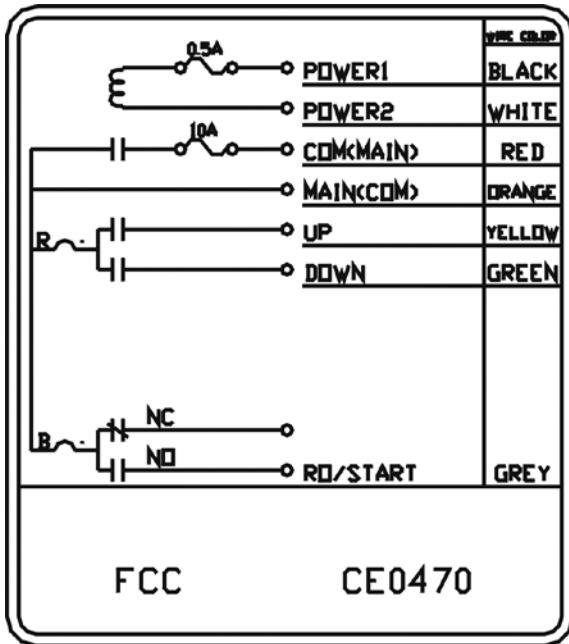
Weight: 0.34 lb (0.2 kg) *Including Batteries*



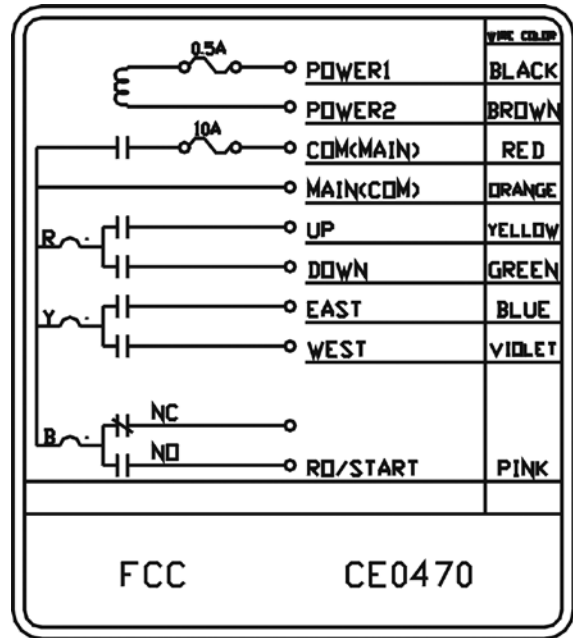
Protean™ Wiring Diagrams

AC type wiring is shown below. Wiring for DC units is the same but Power1 and Power2 are connected to 12-24 VDC. FCC ID#: NCTSAGA1-L8

4-Button Wiring Schematic (AC Type)



6-Button Wiring Schematic (AC Type)



8-Button Wiring Schematic (AC Type)

