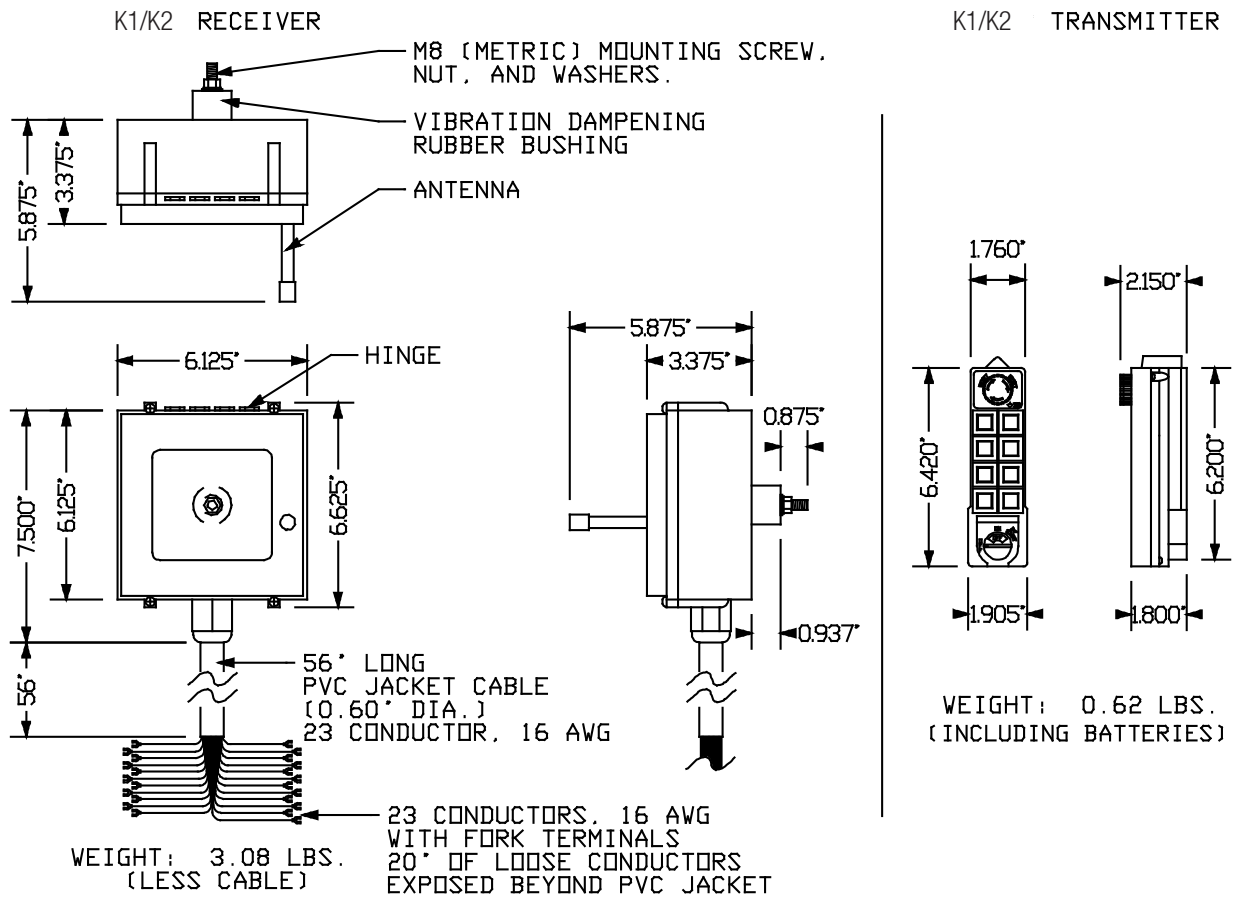


# K1 and K2 Series Dimensions and Wiring Diagram

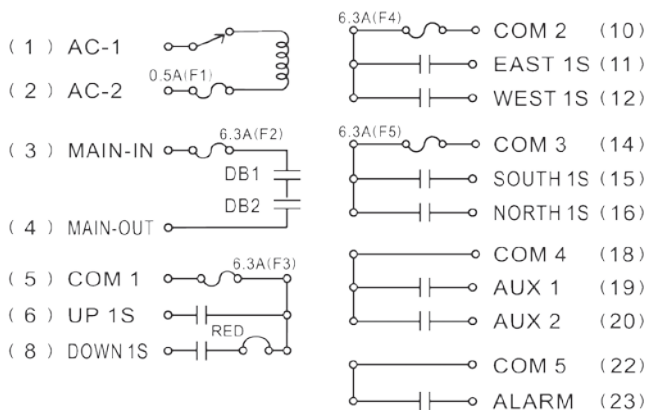
## Dimensions



## Wiring Diagrams

Shown below are the "default" wiring diagrams. If custom programming has been done, this might alter the relay outputs. See Manual for DC wiring diagrams.

### K1 Series



### K2 Series

