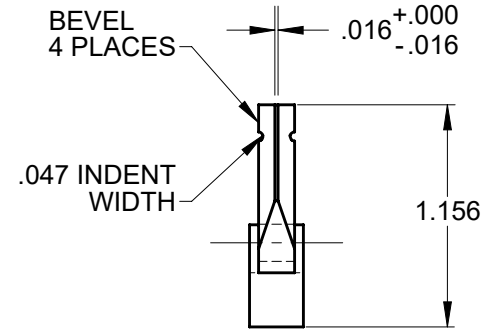
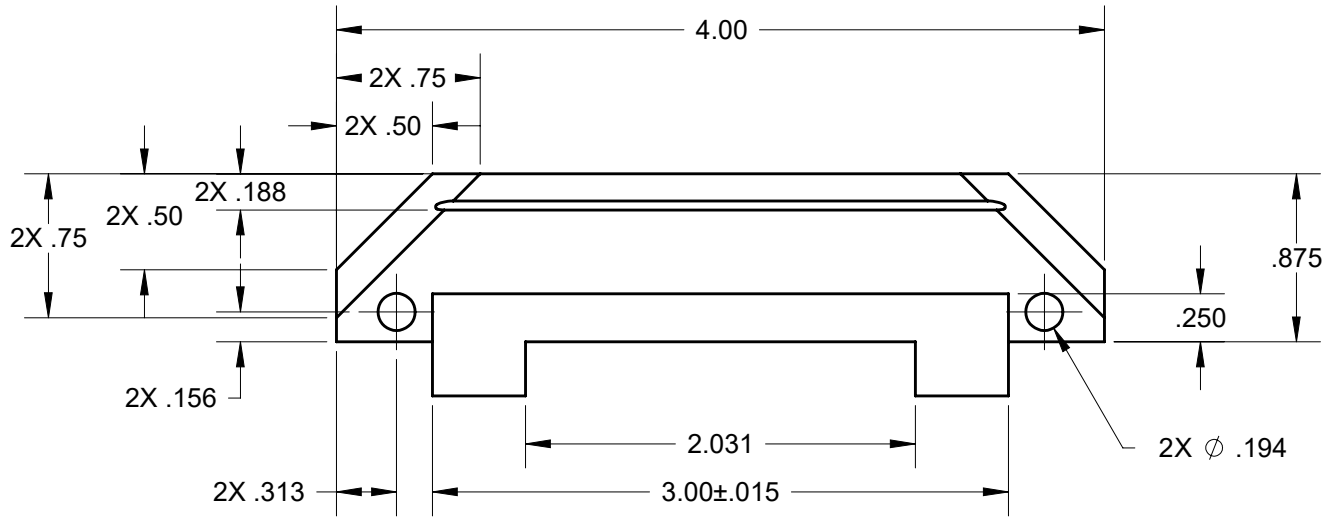
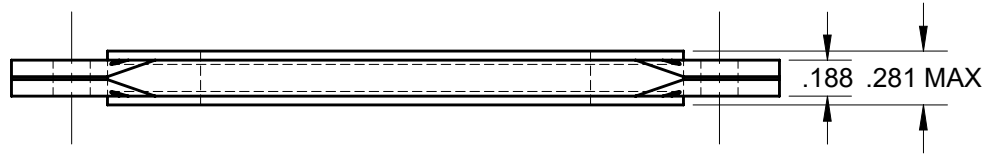


23

NOTES:

1. MANUFACTURER: ST MARYS CARBON CO.
2. MATERIAL: G-320.
3. ANY CHANGES TO THE MANUFACTURER OR MATERIAL MUST BE APPROVED BY ENGINEERING.
4. ALL MATERIALS MUST BE REACH AND RoHS COMPLIANT PER 04W020.



STATUS: RELEASED		DESCRIPTION: SHOE 80A 4 LG CU/GPH G320	
ER NO:	ECO-57792	UNLESS OTHERWISE SPECIFIED INTERPRET GEOMETRIC TOLERANCING PER: ASME Y14.5	
ER DATE:	05/22/2023	PRIMARY UNITS ARE IN INCH POUND SECONDS SECONDARY UNITS IN MILLIMETERS KILOGRAMS SECONDS TOLERANCES ARE AS FOLLOWS:	
ER ENGR:	J SMITH	DECIMAL=	MINIMUM MACHINED SURFACE 250
ER APPR:	D SAMPSON	XXX ± 0.1 IN (2.5 MM)	
DRAWN:	VDJ 03/12/1965	X.XX ± 0.03 IN (0.8 MM)	
APPR:	JAC 03/18/1969	X.XXX ± 0.010 (0.25 MM)	
MATERIAL NO. 2:		PROPRIETARY AND CONFIDENTIAL This drawing and the information shown constitute trade secret and confidential property of Conductix, Inc. It is subject to recall, and is loaned for use only in connection with the authorized manufacture or installation of Conductix, Inc. products, and on the condition that it will be treated as confidential and will not be disclosed, published or reproduced in whole or in part, or permitted to be viewed or used by any other party, without specific written permission. Receipt and use of the drawing and information constitutes acceptance and agreement to the above.	
SIZE A SCALE: 1:1		WEIGHT(REF): 0.18 LB MAT'L: Copper Graphite G320	 10102 F Street Omaha, NE 68127 800-521-4888
		MATERIAL NO. 2: XA-14104 REV 23	SHEET 1 OF 1