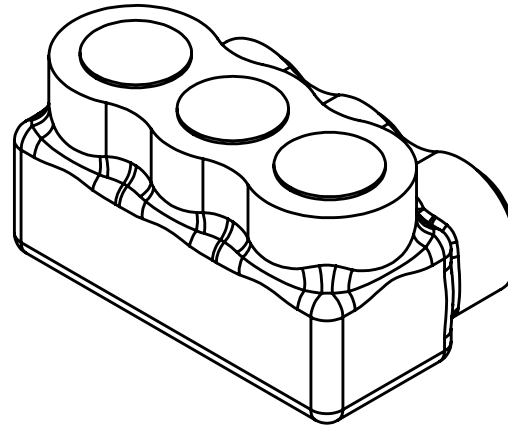


PURCHASING REQUIREMENTS:

1. MANUFACTURER PART NUMBER: IPBB-NA2/0-3S
2. MANUFACTURER PART DESCRIPTION: ALUMINUM BLACK PRE-INSULATED POWER BAR THREE PORTS SINGLE SIDED ENTRY 14 SOL. TO 2/0 STR.
3. MANUFACTURER NAME: PENNUNION
4. RAW MATERIAL UNIT OF MEASURE: PC
5. APPLICABLE EXTERNAL STANDARD(S): UL LISTED



STATUS: RELEASED		DESCRIPTION: CONNECTOR 3 COND. MLTI-TAP 14-2/0 AWG	
ER NO:	ECO-2887	UNLESS OTHERWISE SPECIFIED INTERPRET GEOMETRIC TOLERANCING PER: ASME Y14.5	
ER DATE:	09/17/2019	PRIMARY UNITS ARE IN INCH POUND SECONDS SECONDARY UNITS IN MILLIMETERS KILOGRAMS SECONDS TOLERANCES ARE AS FOLLOWS:	
ER ENGR:	J BECKER	DECIMAL=	MINIMUM MACHINED SURFACE 250
ER APPR:	D SAMPSON	XX ± 0.1 IN [2.5 MM]	
DRAWN:	J BECKER 07/26/2019	X.XX ± 0.03 IN [0.8 MM]	
APPR:	D SAMPSON 07/26/2019	X.XXX ± 0.010 [0.25 MM]	
		ANG. ± °	
		FRAC. ± 1/16	THREAD CLASS: 2
		ALL DIMENSIONS GREATER THAN 24.00 INCHES HAVE A TOLERANCE OF ± .063 IN UNLESS OTHERWISE SPECIFIED	
		PROPRIETARY AND CONFIDENTIAL This drawing and the information shown constitute trade secret and confidential property of Conductix, Inc. It is subject to recall, and is loaned for use only in connection with the authorized manufacture or installation of Conductix, Inc. products, and on the condition that it will be treated as confidential and will not be disclosed, published or reproduced in whole or in part, or permitted to be viewed or used by any other party, without specific written permission. Receipt and use of the drawing and information constitutes acceptance and agreement to the above.	
		10102 F Street Omaha, NE 68127 800-521-4888	
		MATERIAL NO. 2:	XA-589312 REV 0
		SIZE A SCALE: 1:1	WEIGHT(REF): 0.06 KG MAT'L: Rubber
		SHEET 1 OF 1	